



BoxPC-138-G01

Expandable Fanless Computers, 1 PCIe x16 Expansion Slot



Features

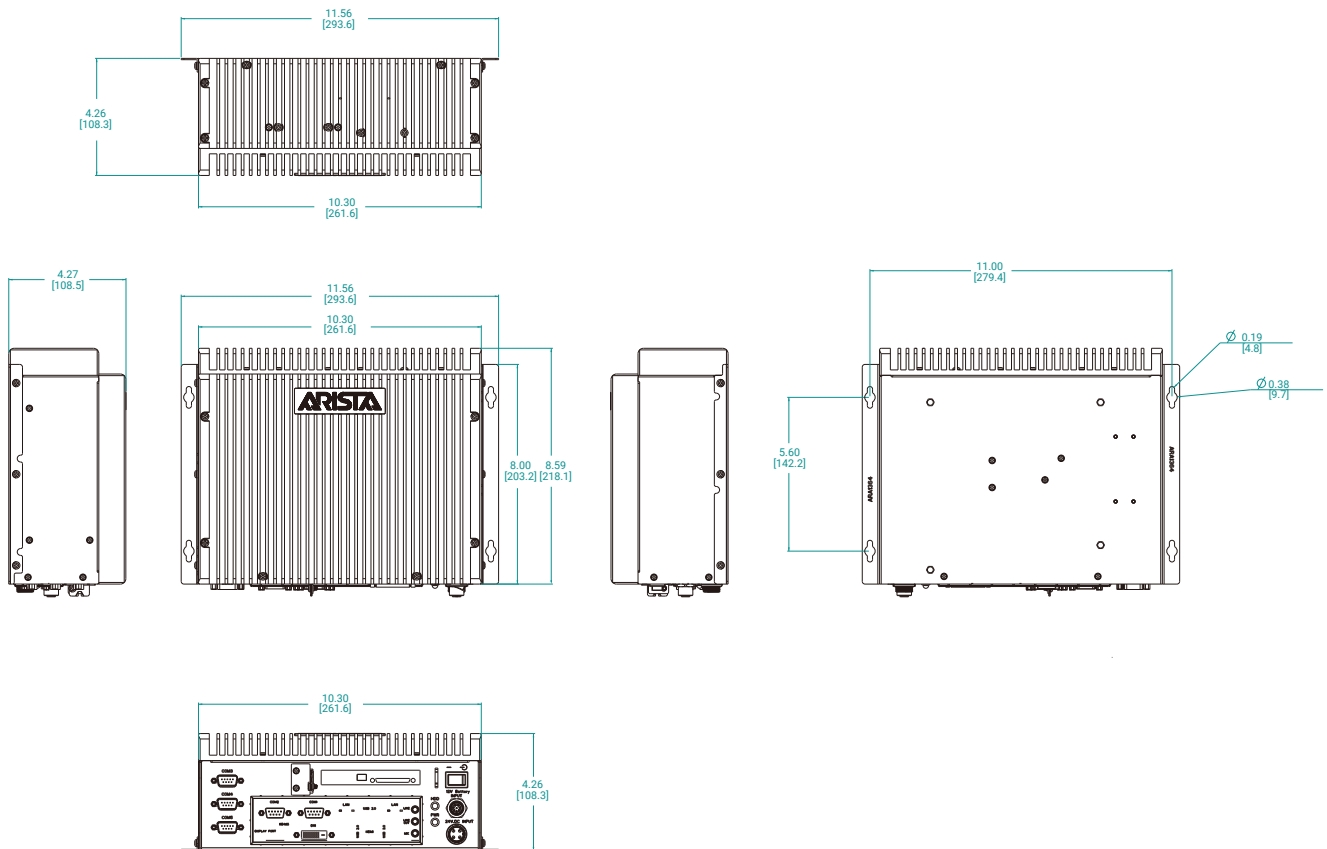
- Intel i7-3630QM Processor
- Up to 16GB DDR3 DIMM Memory
- Dual Gigabit LAN
- 1 x PCIe x16
- Fanless Wall Mount
- Multi-Monitor ThinManager Ready version available

Specifications

Model Name	BoxPC-138-G01
System	
CPU	Intel i7-3630QM Processor
Chipset	Intel QM77
Memory	Up to 16GB DDR3
Video Controller	Intel HD Graphics 4000
Video Interface	DVI, HDMI, DP *Support dual displays
Storage Option	1 x 2.5" SATA HDD
Compact Flash	N/A
Keyboard/Mouse	1 x PS / 2 connector
Audio	Line In, Line Out, Mic In
Watchdog Timer	Programmable 1~255 sec
Remote Boot	ThinManager Ready, PXE
Expansion Slot	1 x PCIe x16
I/O Communication	
USB Port	4 x USB 2.0, 2 x USB 3.0
Serial Port	2 x RS-232/422/485, 3 x RS-232 (Optional)
IEEE 1394	N/A
LAN	2 x Gigabit
Parallel	N/A
GPIO	N/A
Smart Battery	
External Smart Battery	Optional
OS Support	
OS Support	Win XP, Win 7, Win10
Power / Thermal Specs	
Power Requirement (Max)	24VDC / 3A
Power Consumption (Max)	73 W
Recommended Power Supply	103 W
Heat Dissipation	246 BTU/hr
Physical Information	
Mounting	Wall Mount
New Weight	10 Lbs / 4.53 Kg
Dimension (W x H x D)	11.56 x 4.26 x 8.59 inch 293.6 x 108.3 x 218.3 mm
Recommended Cutout Dimension (WxH)	N/A
IP/NEMA Rating	Meets IP50
Certification	UL 508
Environmental	
Operating Temperature	0~50°C (32~122°F)
Storage Temperature	-20~60°C (-4~140°F)
Relative Humidity	0~95%

Dimension Drawing

BoxPC-138-G01
Size Unit: inch(mm)



Ordering Information

Item	BoxPC-138-G01-00D-DR
CPU	Intel i7-3630QM
Memory	8GB DDR3
RAID	N/A
Storage	N/A
Remote Boot	ThinManager Ready, 5 x HDMI
Power Supply	110/220VAC Input DIN-Rail